

# iCam

*All-in-One Conference Camera Video Bar with Android UC terminal*

*Model: VB70*

User Manual



## ❖ FOR SAFE USE

Before using and operating this device, please read thoroughly and comply with the following precautions in order to prevent accidents or abnormal operation.

### (1) Environmental Conditions

- Do not place the product in dusty and humid environments in case of internal short circuit.
- Do not place the product near heating devices (such as electrical heater).
- Operating temperature is 0-40°C. Operating humidity is 10% ~ 90 %RH.  
Please use the product accordingly.

### (2) Children Safety

The product and accessories may contain some small parts. Please keep them from children to avoid accidental swallowing or danger.

### (3) Power Supply

Please use the standard power adapter .

### (4) Keep Dry

The product is NOT waterproof. Please keep it dry.

### (5) Maintenance and Repair

- All maintenance services should be provided by qualified service personnel.  
When the equipment is damaged, please do not take it apart for repair.  
Please contact INFOBIT for warranty.
- Please do not insert any sharp objects into the device.
- Prevent the device from falls and collisions with other objects, which may

cause damages.

#### ❖ SPECIAL STATEMENT

- (1) Intellectual property right statement: The patents cover the hardware design and software of this product. Anyone reproduces the product or the contents of this instruction without prior written permission from the Company shall be liable to legal prosecutions.
- (2) This manual is for reference only, the final actual function is based on the customer's actual order and the actual function of the product received.
- (3) The picture is for reference only. Please refer to the real product. The Company reserves the right to improve and change the appearance and design of the products without prior notice.

Note: Users may find the type approval code of this product on the product's nameplate.

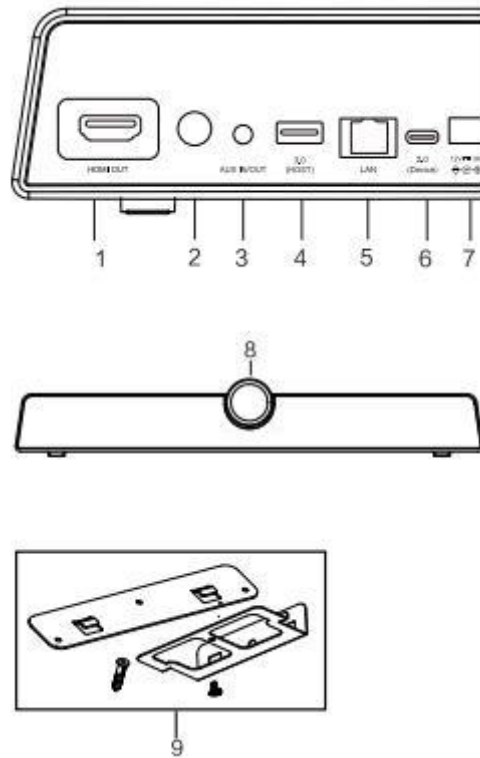
#### ❖ ACCESSORIES INTRODUCTION


Please check the following items in the product box.

HDMI cable x1	Wall-mounted assembly x1
Peeping cover x1	Instruction manual x1
Remote control x1	Power adapter x1
USB cable x1	

#### I. Appearance Introduction

Please familiarize yourself with the interface and buttons of the device before using it.

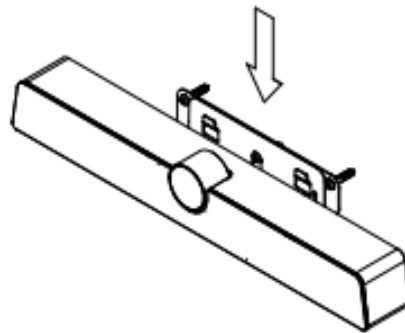


1. HDMI OUT: Connect to the devices with HDMI input function
2. Power : On-off button, press one second long to turn on; press two seconds long to turn off
3. AUX IN/OUT: Used for external audio equipment
4. 3.0: USB 3.0, used for upgrading and connecting with external mouse/keyboard
5. LAN: Connect RJ45 terminals
6. 2.0: Device, can be connected to a computer through a USB Type-A to Type-C data cable, providing the computer with camera, microphone and speaker

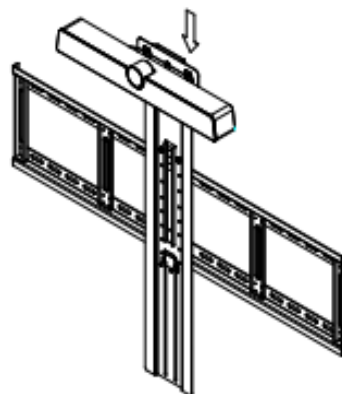
7. DC terminal: Used for 12V power input power supply
8. HD Camera: Shooting function
9. Wall-mounted assembly

## II. Mounting

1. Place directly on the desktop.
2. Wall-mounted: Fix the bracket onto the Wall with screws, then place the integrated video conference terminal onto the bracket.



3. Use with panel: Fix the bracket onto the supporting bracket with screws, then place the integrated video conference terminal onto the bracket. (The bracket needs to be purchased separately.)



Note: The connection of different models may be different. Please refer to the actual product.

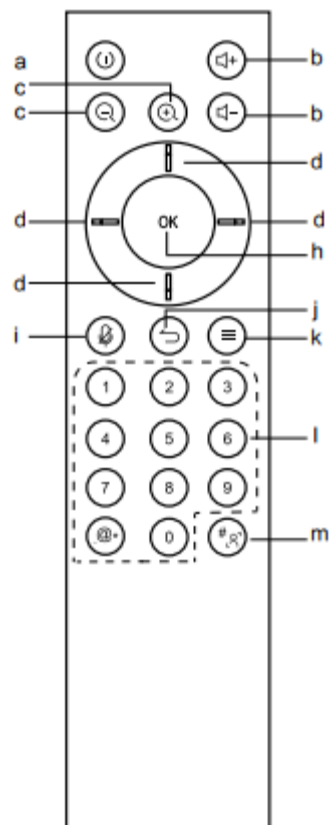
### III. First Use

1. Please connect this product to your monitor using an HDMI cable.
2. After the power is switched on, please use the power key of the remote control or the power key at the back side of the product to start the machine.
3. For the first time use, please complete the network connection and device scan code activation in the boot of the device.
4. After activation, the function of this product can be used.










NOTICE: The terms HDMI and HDMI High-Definition Multimedia Interface, and the HDMI Logo are trademarks or registered trademarks of HDMI licensing LLC in the United States and other countries.

### ❖ THE REMOTE CONTROL



### Remote control keypad instructions

- a. ⏻: Power Button, short press, external display screen will show 10 seconds countdown shutdown. Click confirm, can shut down. Click cancel, can cancel the current operation; Long Press 2 seconds, enter the shutdown state
- b. + -: Volume Button, press to adjust the system volume
- c. 🔍 🔍: Digital focus, when the intelligent viewfinder mode off, when the video conference or open the camera scene, the camera for digital focus, zoom in after the picture, you can use the direction keys to move the picture angle

- 
- d. Arrow keys: you can choose up, down, left, and right
  - h. OK key: to confirm, press this key to confirm the selected state;  
when in digital focus mode, one press to return to unscaled state
  - i. : Turn the microphone on/off
  - j. : Return key
  - k. : Menu key, in the corresponding interface under the operation of the corresponding menu
  - l. Numeric key and : In the video conference interface for digital input, input the invitation code and conduct the SIP call
  - m. : Short press, when in the input interface, enter [ # ] ; long press two seconds, in the video conference page or when the camera is on as a smart viewfinder key to use, enter/exit intelligent viewfinder mode (press for 2 seconds and the camera will show the status, "" means open and "" means closed)

Default bit:

1. When the smart viewfinder mode is turned off, you can set and switch the camera preset mode when the video conference page or the camera scene is turned on
2. Long press the number key for 2 seconds to save the current camera settings (settings include camera zoom and view adjustment) ; only 3 preset bits 1,2,3



- 
3. Short press 1/2/3 to switch the corresponding default state