

iSpeaker DAC6

Dante Active Ceiling Speaker, 6"

User Manual V1.0



Thank you for purchasing this series of speakers. To ensure the correct use of this product, please read this manual carefully before use.

This is a 30W ceiling speaker; it has extraordinary sound quality, simple structure, simple and convenient power settings, easy to install, etc., suitable for indoor environments can play excellent background music and voice playback function.

Technical Parameters

Model	iSpeaker DAC6
Name	Dante Active Ceiling Speaker, 6"
Maximum power	60W
Rated Power	30W
Sensitivity	90dB
Frequency Range(-10dB)	50-20KHZ
Opening angle(1 KHz/-6dB)	135°
Rated Impedance	8Q

Dimension(WXH)	O264X242mm
Weight	3.85KG
Colour	Mesh cover white /backshell black

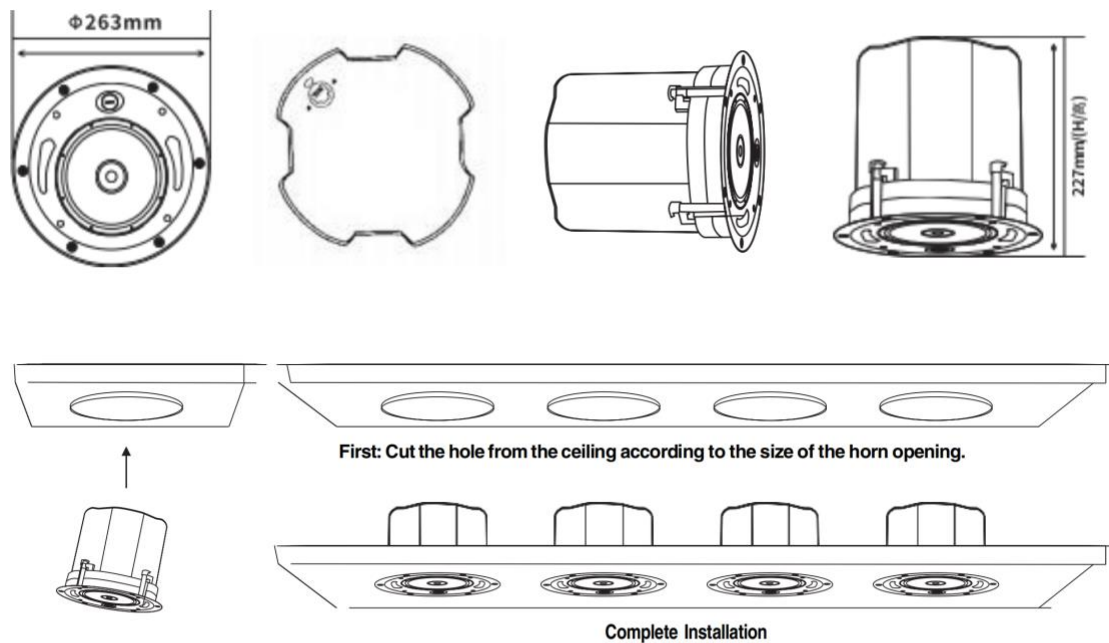
Installation

Firstly, make a 225mm hole on the ceiling.

Detach the iSpeaker DAC6 cover

According to the pre-drilled holes, the product will be mounted on the ceiling and screwed on the screws.

After the product is fixed, the net will be reattached



After the hole is completed, install the speaker in the direction of the figure and fix it.