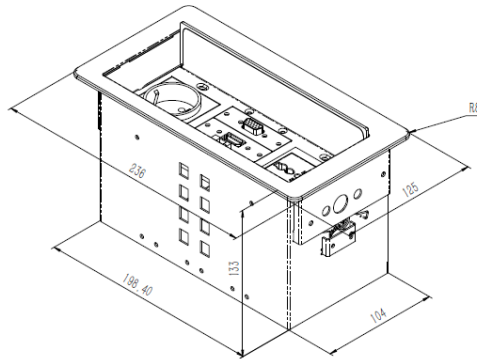


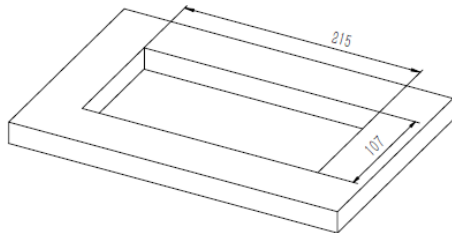
iBox Flex

Installation Guide V1.0

iBox Flex dimension (mm)

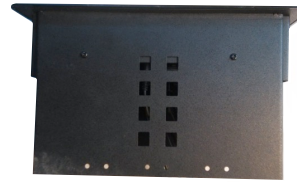


Cutout dimension (mm)



Install

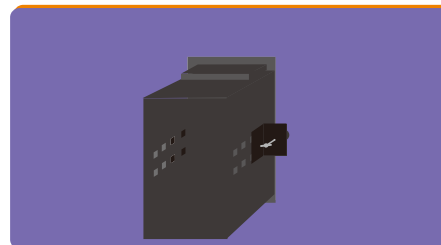
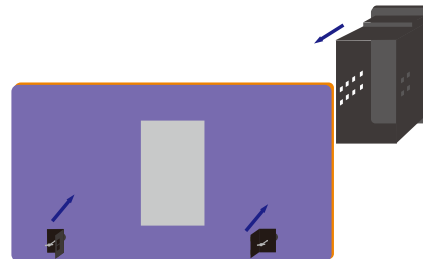
1. Choose the proper holes to hang the clamps according to the table thickness.



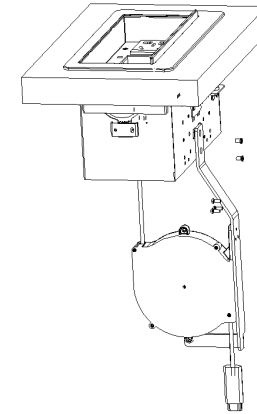
2. Hang the clamps onto the holes.



3. Fix the hanging ears on the mounting holes, tighten the horn screws.



4. Install the retractable system.



5. Pull out cable and install the cable holder.

