



info@infobitav.com www.infobitav.com



iMount VW60/VW90

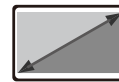
A full-service Quick Release Video Wall Mount for flat panel displays

SPECIFICATION

Recommended screen size	42" - 90"
Max load	50kg (VW60) / 70kg (VW90)
VESA® standard	100X100-900X400mm
Distance from the wall	108-292mm
Colour	Black
Weight	14.5 kg/ctn
Box dimensions	66x60x11cm
Warranty	5 years



600x400
900x400



42" - 90"



portrait and landscape



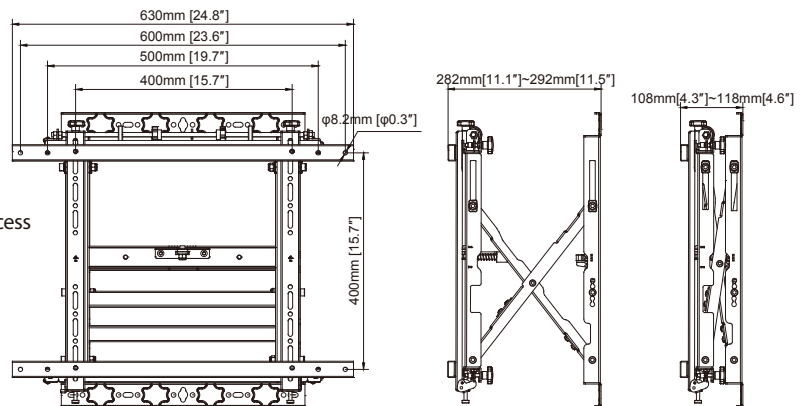
Distance from the wall
108-292MM



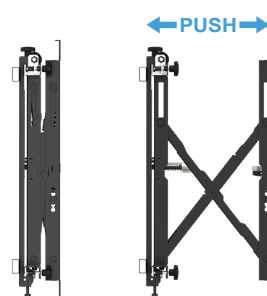
MAX LOAD

FEATURES

- Modular mount for unlimited wall display configurations
- Suitable for landscape or portrait screen mounting
- Push to open / push to close system provides quick and easy service access
- Micro-adjustments at 8 points for seamless display alignment
- Suitable for both wall or pole mounting
- Integrated cable management
- Perfect solution for mounting screens into a recessed wall
- Anti-theft help prevent unauthorised removal of screens
- Includes interface Adaptor Arms as standard for use with screen with VESA 900 x 400 fixings



Modular mount allows video wall assembly in an unlimited number of configurations



Push to open / push to close system provides quick and easy service access



Optimal Interface Adaptors for VESA 900X400 fixings include as standard

Model								
iMount VW60	42" - 70"	100x100~600x400mm	108 ~292mm	Height adjustment 10mm	50kg (110lbs)	Portrait and Landscape	Steel Construction	Powder Black
iMount VW90	42" - 90"	100x100~900x400mm	108 ~292mm	Height adjustment 10mm	70kg (154lbs)	Portrait and Landscape	Steel Construction	Powder Black