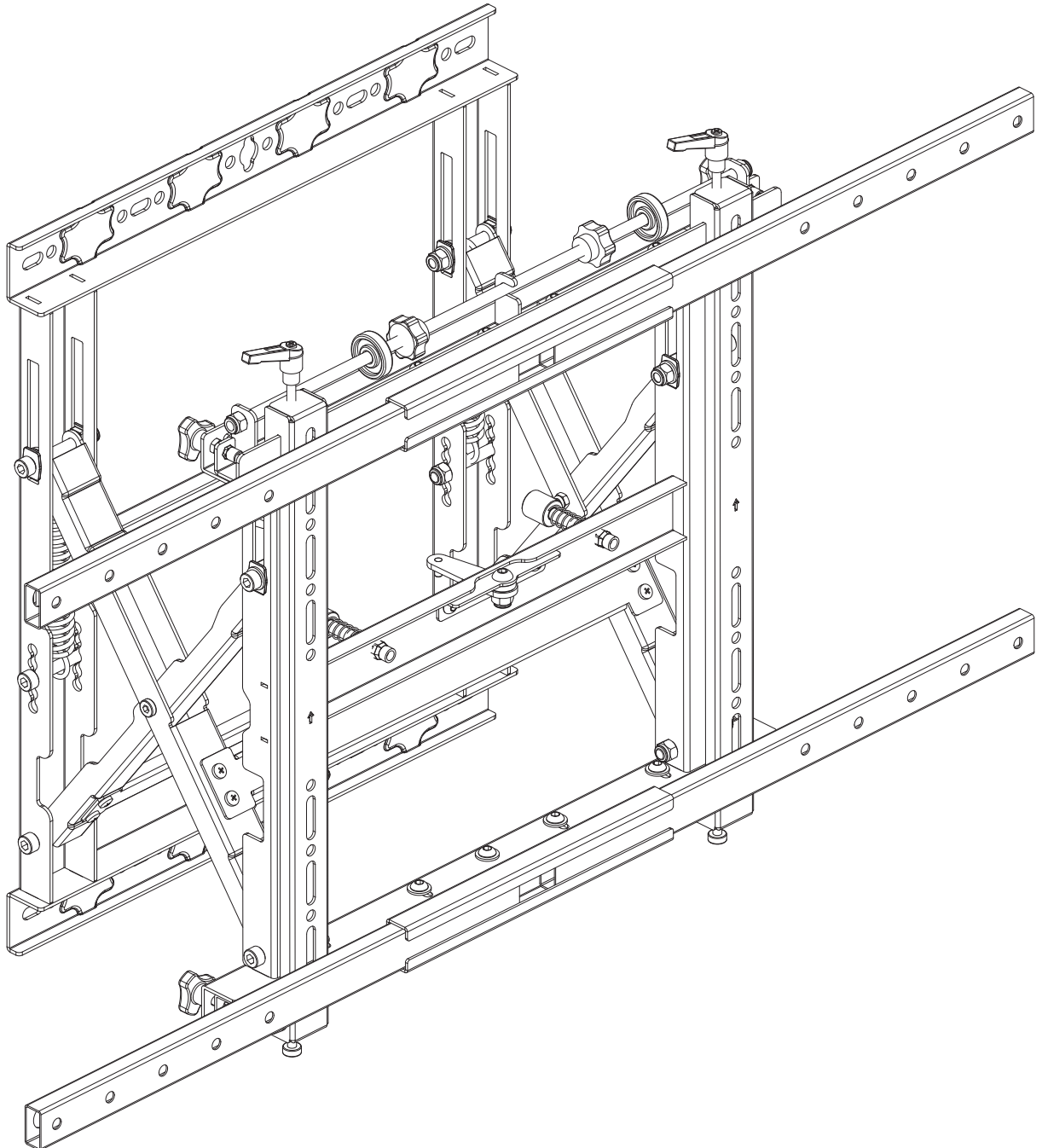


iMount VW90

Modular Video Wall System with Push-to-Pop-out and Anti-Theft Features

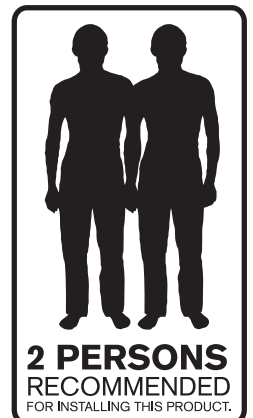


WARNING

- Be sure to read this entire manual thoroughly and you fully understand all the instructions and warning before attempting to begin your installation.
- This products should only be installed by someone who has a basic knowledge of building constructio installations and fully undestnd these instrudtions.
- Always have someone assit you to lift and position your equipment.
- Tighten screws and bolts firmly, but do not over tighten. Over tightening can damage the item and greatly reduce their ability to hold.Please refer to suggested torque values where applicable in these instructions.


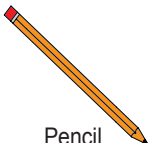
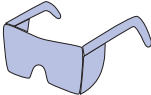


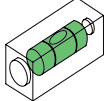
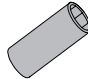
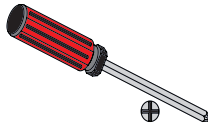
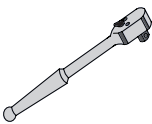
Maximum Flat-panel Weight: **90 kg**

THE WALL STRUCTURE MUST BE CAPABLE OF SUPPORTING AT LEAST FIVE TIMES THE WEIGHT OF THE FALT-PANEL. IF NOT, THE WALL STRUCTURE MUST BE REINFORCED.

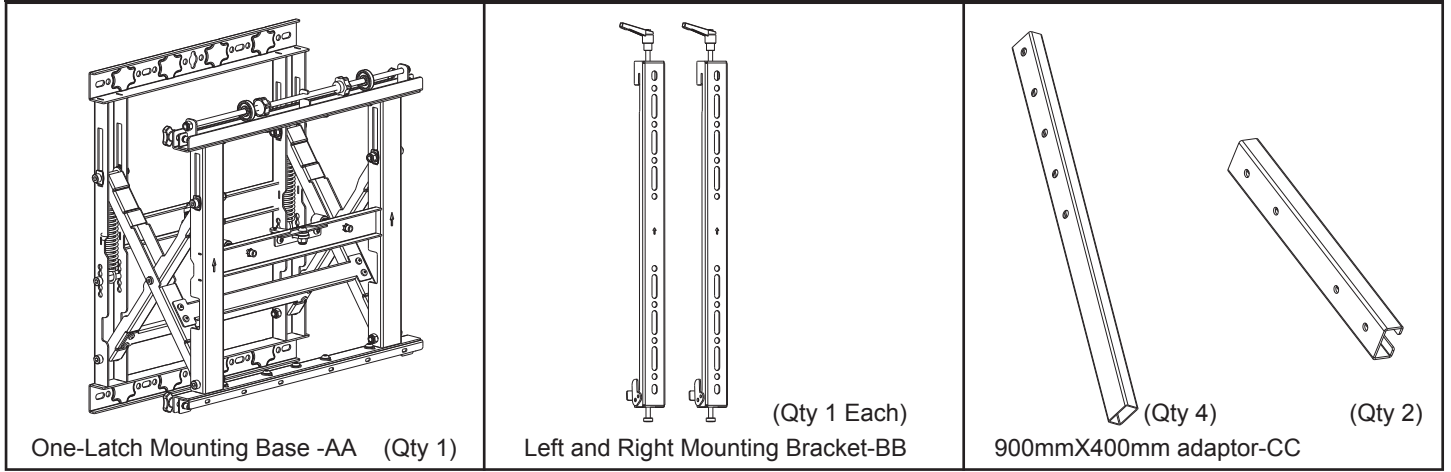



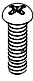

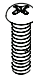

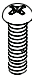
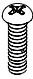


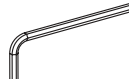

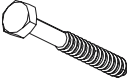




Installation Tools

The following tools may be required depending on your installation.

 Electronic Stud Finder	 Pencil	 Protective Eyewear	 Portable Drill	 1/4" Drill Bit
 Level	 1/2" Socket	 Head Screwdriver	 Socket Wrench	

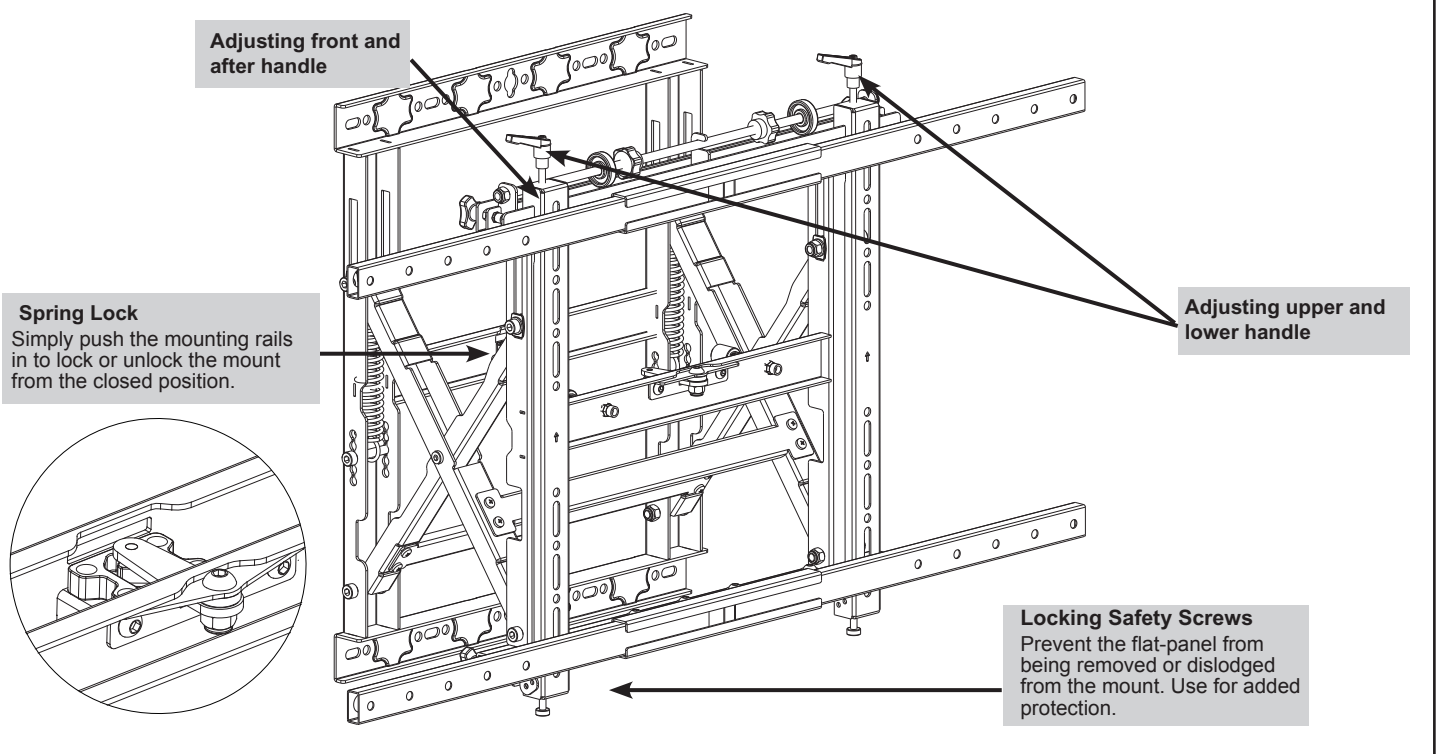
Parts List



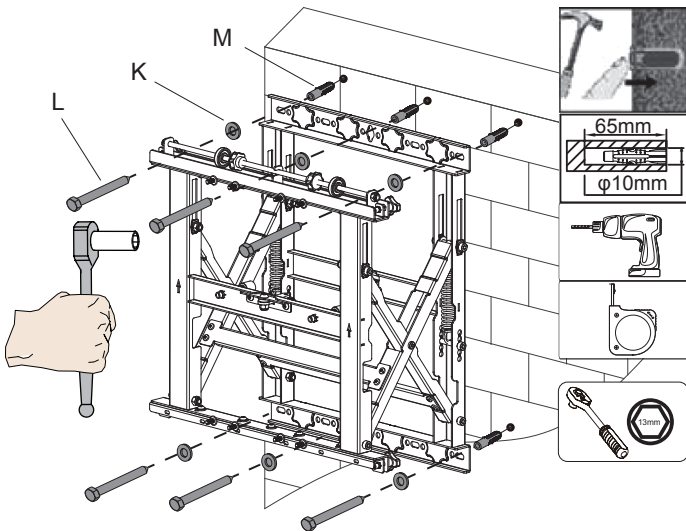
A	B	C	D	E
 M5 x 16mm Screw (Qty 4)	 M5 x 30mm Screw (Qty 4)	 M6 x 16mm Screw (Qty 4)	 M6 x 30mm Screw (Qty 4)	 M8 x 16mm Screw (Qty 4)
F	G	H	I	J
 M8 x 30mm Screw (Qty 4)	 M8 x 50mm Screw (Qty 4)	 16x6.2x1.5 Metal washer (Qty 4)	 13x8.2x5 Spacer (Qty 8)	 5mm Allen Key (Qty 1)
K	L	M	N	O
 16x8.2x1.5 Metal washer (Qty 6)	 8*65 Lag Bolt (Qty 6)	 Anchor (Qty 6)	 13x8.2x13 Spacer (Qty 8)	 M8 x 15mm Screw (Qty 4) (Installed)
				P
				 M6 x 10mm Screw (Qty 8)

Features

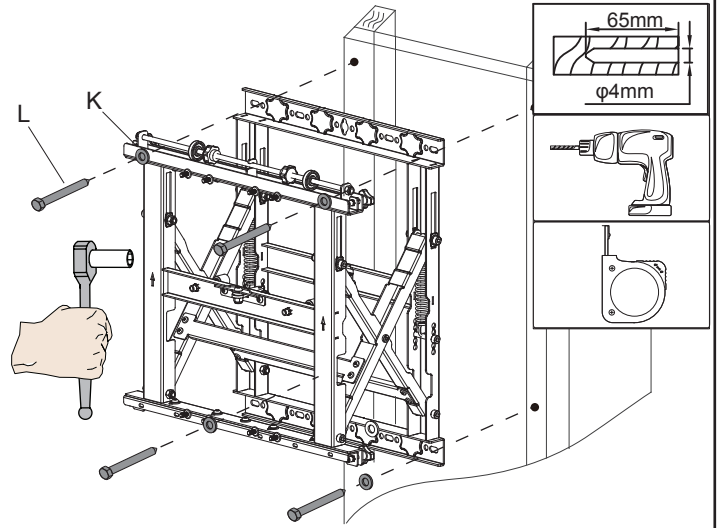
Video Wall Pop-Out Module is a customizable video wall mounting system featuring multi-monitor stacking, open design, and scissor mount extension. It has an extending scissor mount for easy installation, cable management and servicing.



Installation



Mounting to Solid Concrete/Masonry

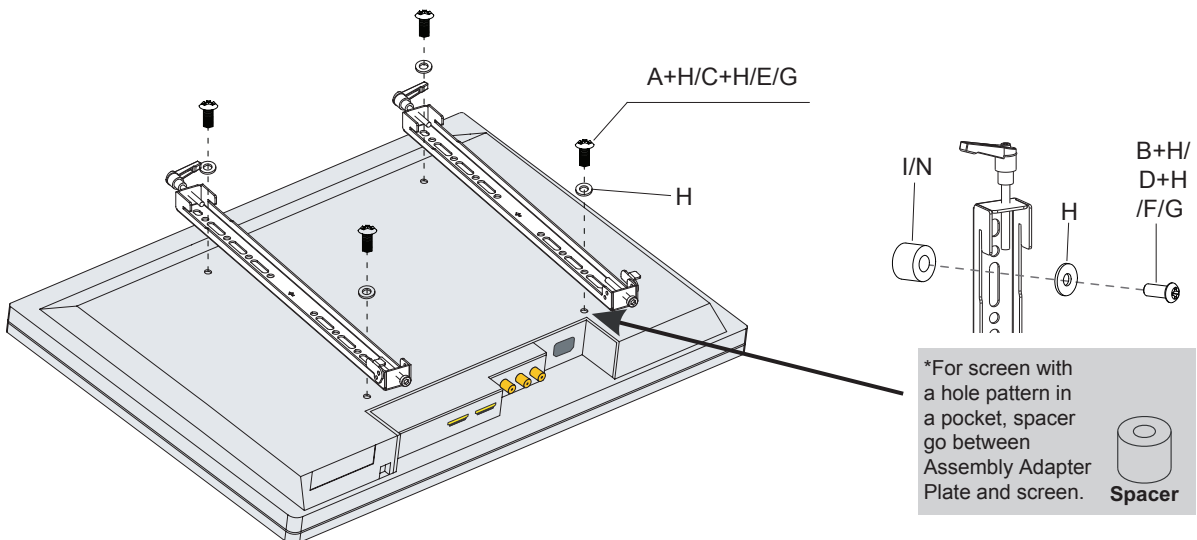
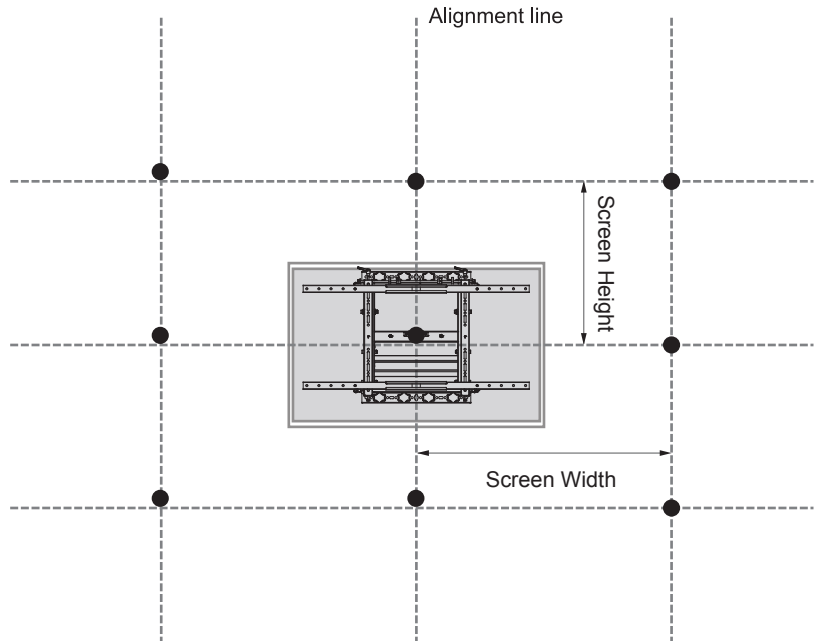
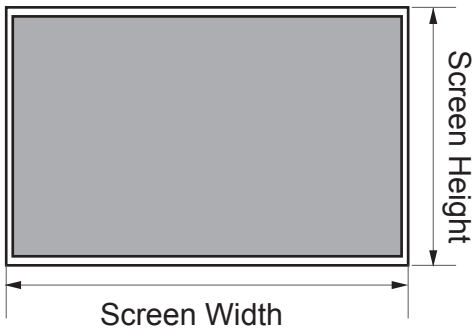


Mounting to Wooden Studs

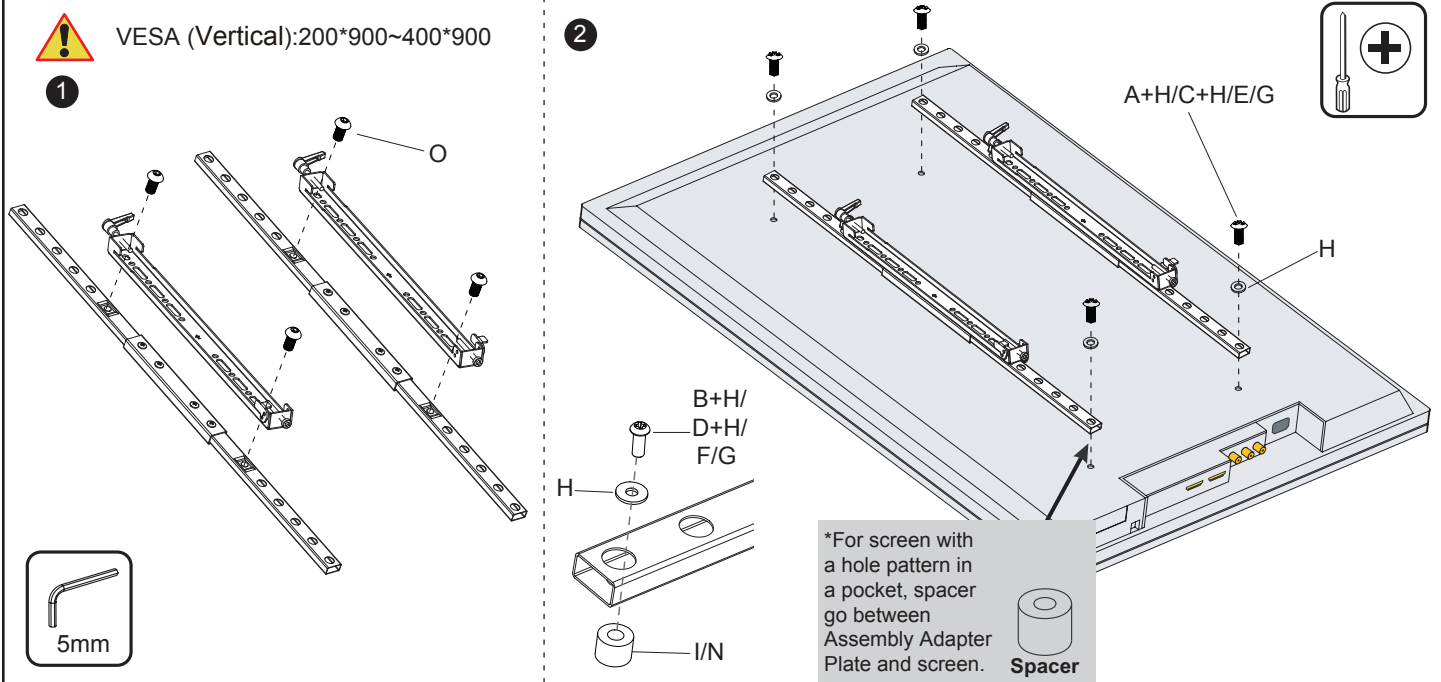
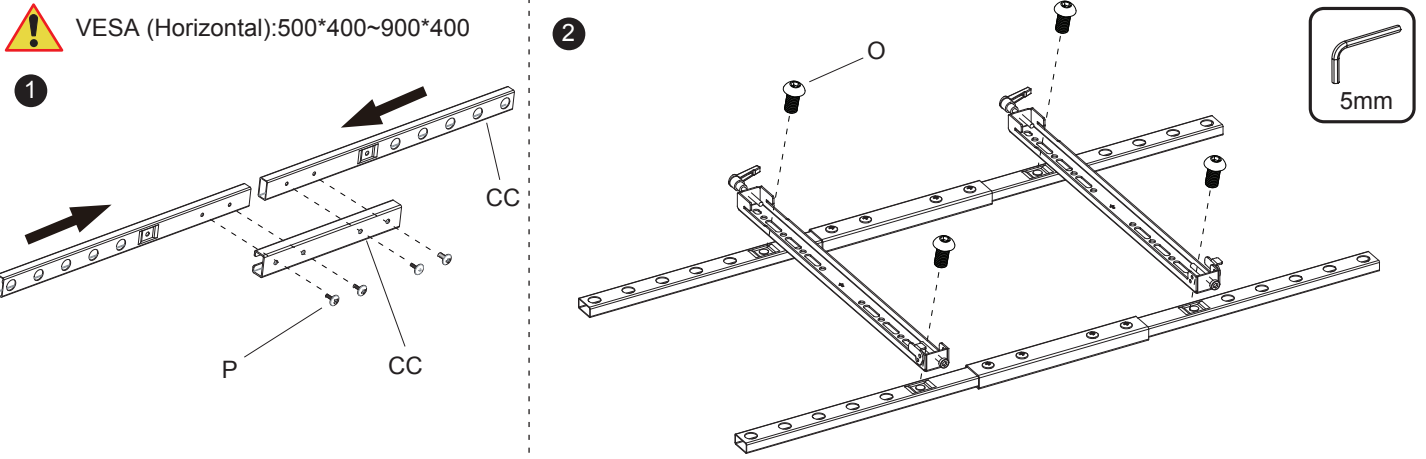
Installing the Mounting Brackets

After you have mounted the first bracket as described, draw a horizontal line (the use of a laser leveller may help).

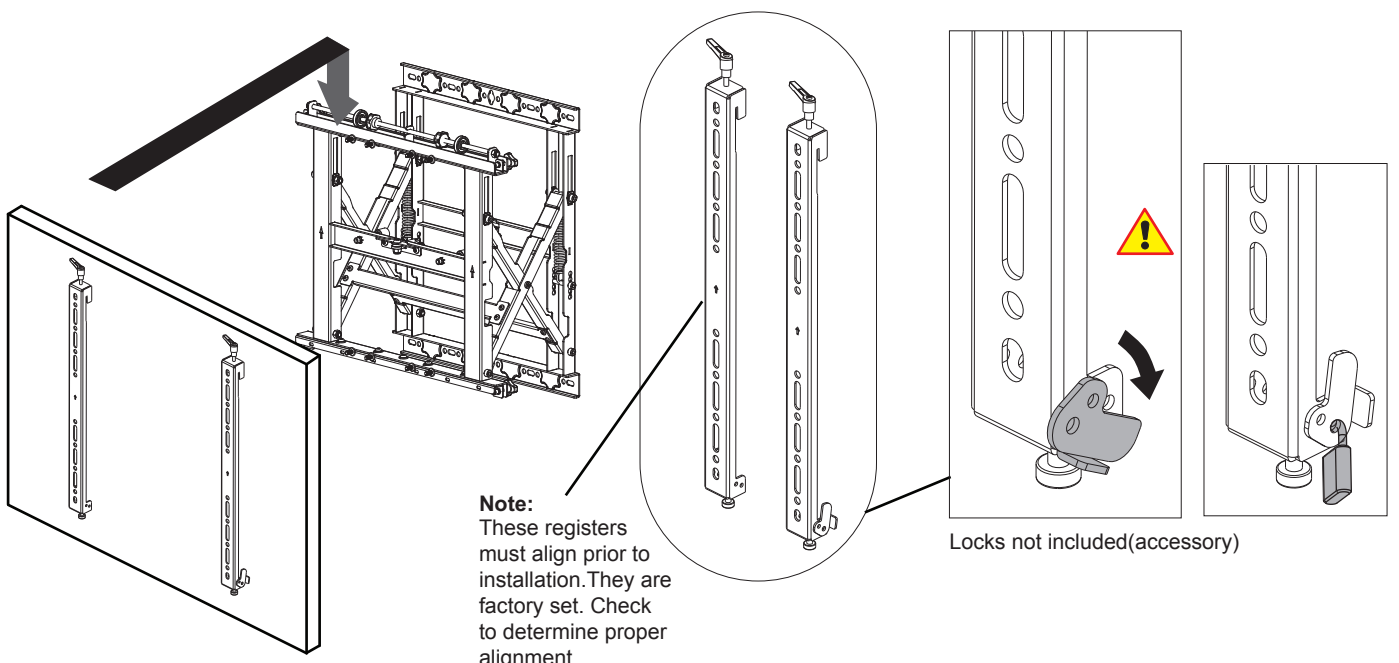
You can place the second bracket by tape measure proceed in this way with the other brackets.



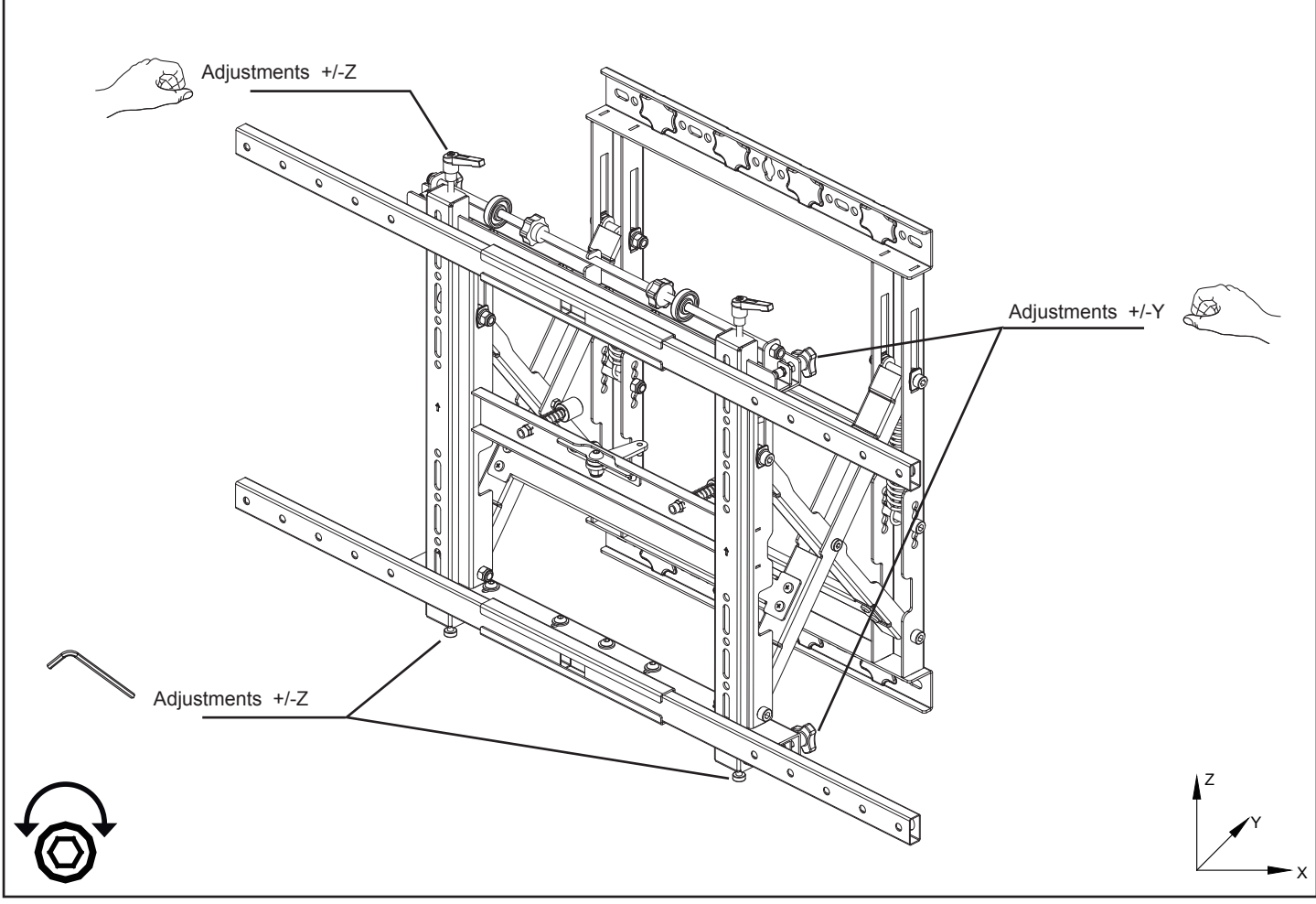
Installing the Mounting Brackets



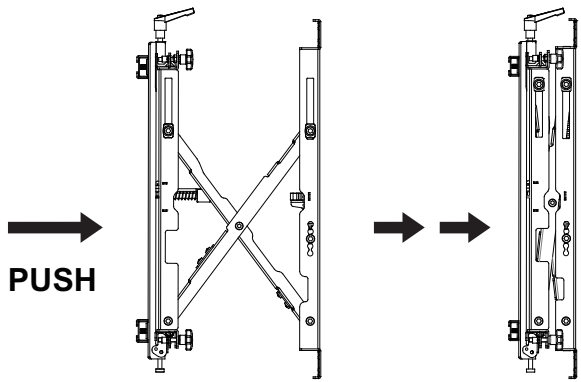
Mounting the Flat-Panel



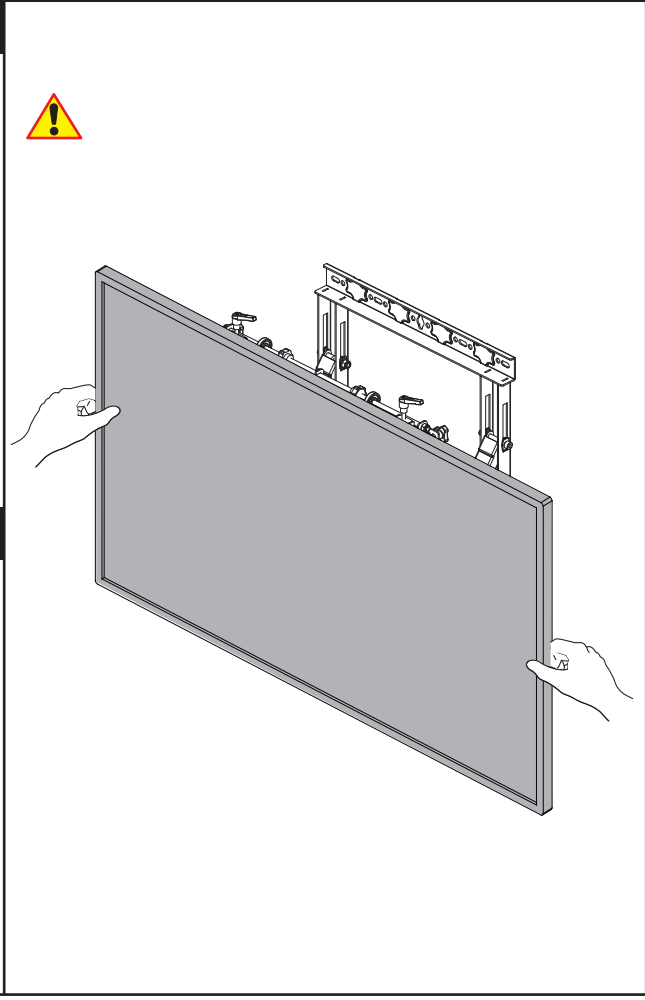
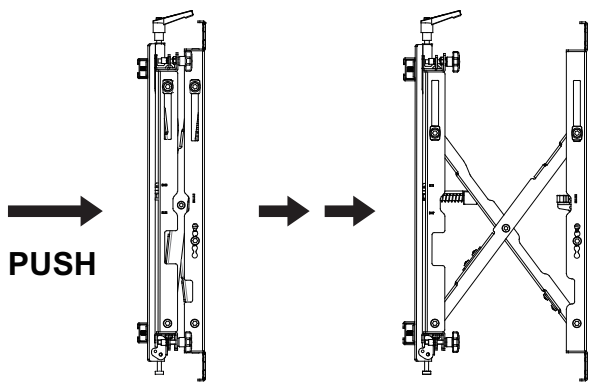
Post-Installation Adjustments



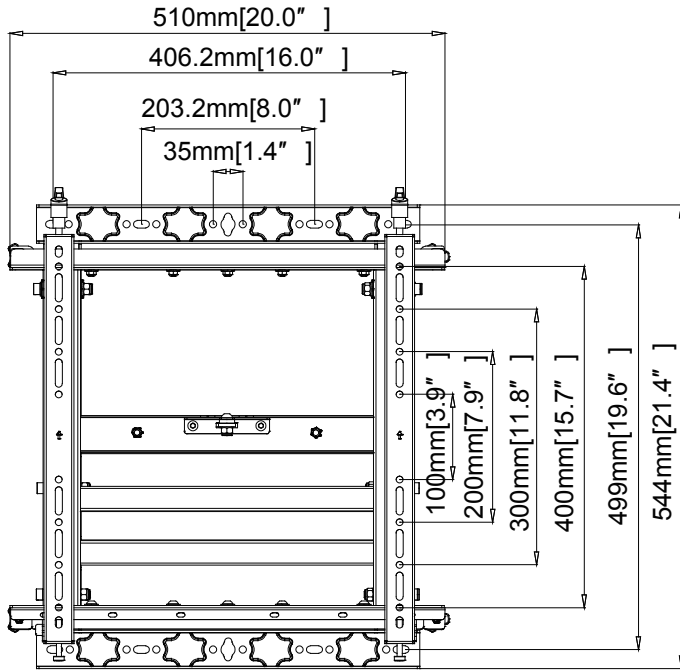
Move Inward



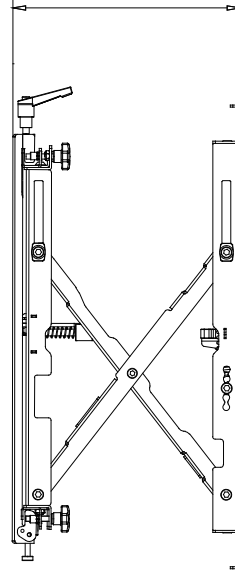
Move outward



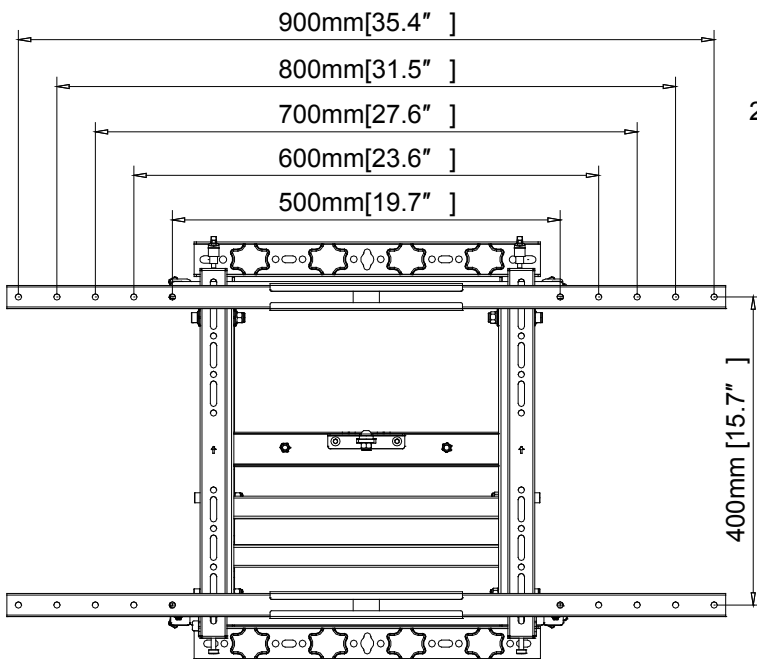
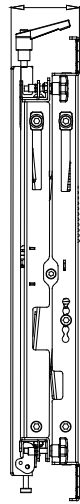
Technical Specifications



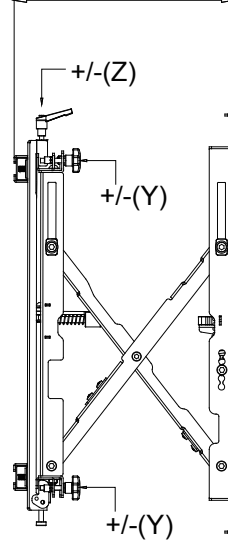
267mm [10.5"]~277mm [10.9"]



92mm [3.6"]~102mm [4.0"]



285mm [11.2"]~295mm [11.6"]



110mm [4.3"]~120mm [4.7"]

